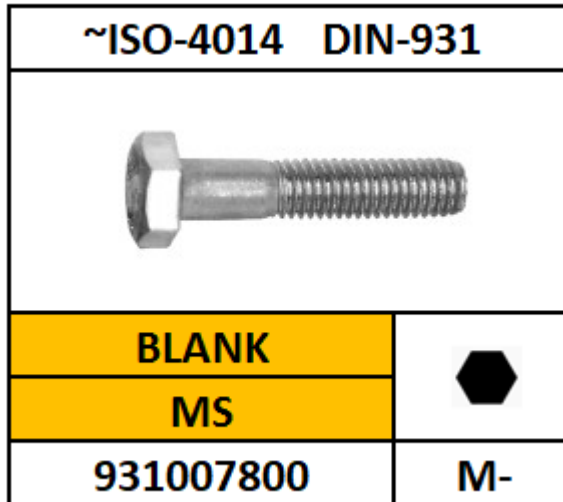
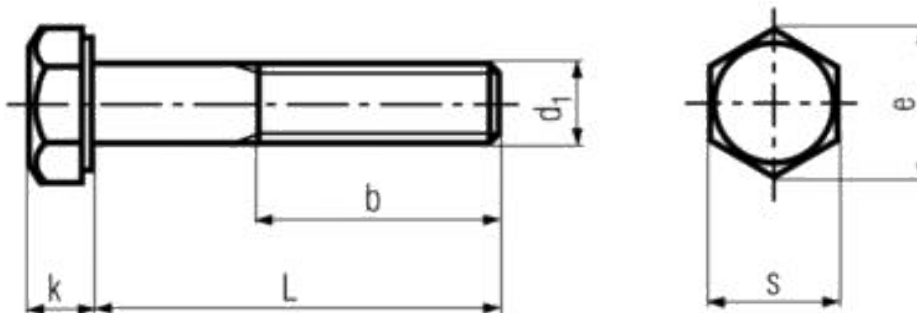


ZESKANTBOUT



DIN	DIN-931
EN	-
ISO	ISO-4014
CODE	93100
MATERIAAL	MESSING
OPPERVLAKTE	BLANK
CODE	7800
METRISCH	M-
VOORBEELD	M-8X40
CODE	080040
BESTELCODE	93100 7800 080040



D1	B TO 125	B TO 200	B OVER 200	K	E	S	D1	B TO 125	B TO 200	B OVER 200	K	E	S
M4	14	-	-	2.8	7.66	7	M22	50	56	69	14	35.72	32
M5	16	-	-	3.5	8.79	8	M24	54	60	73	15	39.98	36
M6	18	24	-	4	11.05	10	M27	60	66	79	17	45.2	41
M8	22	28	-	5.3	14.38	13	M30	66	72	85	18.7	50.85	46
M10	26	32	45	6.4	18.9	17	M33	72	78	91	21	55.37	50
M12	30	36	49	7.5	21.1	19	M36	78	84	97	22.5	60.79	55
M14	34	40	53	8.8	24.49	22	M42	90	96	109	26	71.3	65
M16	38	44	57	10	26.75	24	M45	96	102	115	28	76.95	70
M18	42	48	61	11.5	30.14	27	M48	102	108	121	30	82.60	75
M20	46	52	65	12.5	33.53	30							