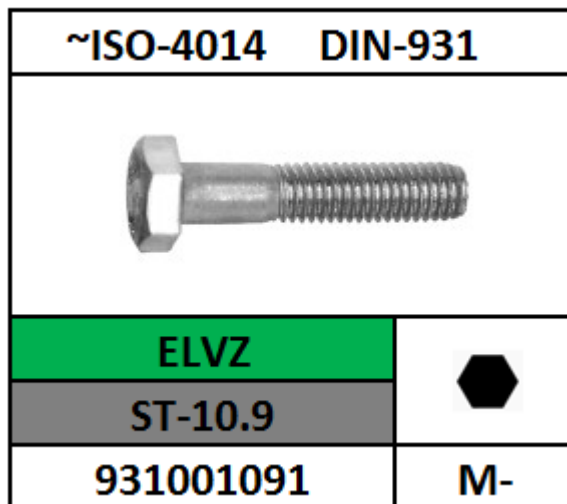
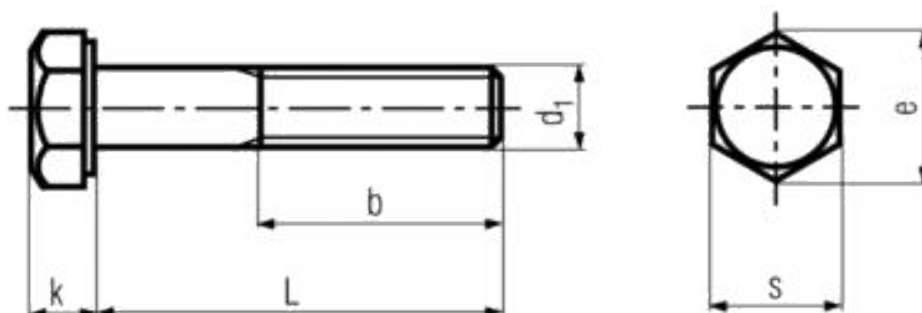


## ZESKANTBOUT



|                    |                            |
|--------------------|----------------------------|
| <b>DIN</b>         | DIN-931                    |
| <b>EN</b>          | -                          |
| <b>ISO</b>         | ISO-4014                   |
| <b>CODE</b>        | 93100                      |
| <b>MATERIAAL</b>   | STAAL 10.9                 |
| <b>OPPERVLAKTE</b> | ELEKTROLYTISCH<br>VERZINKT |
| <b>CODE</b>        | 1091                       |
| <b>METRISCH</b>    | M-                         |
| <b>VOORBEELD</b>   | M-6X30                     |
| <b>CODE</b>        | 060030                     |
| <b>BESTELCODE</b>  | 93100 1091 060030          |



| D1  | B TO<br>125 | B TO<br>200 | B OVER<br>200 | K    | E     | S  | D1  | B TO<br>125 | B TO<br>200 | B OVER<br>200 | K    | E     | S  |
|-----|-------------|-------------|---------------|------|-------|----|-----|-------------|-------------|---------------|------|-------|----|
| M4  | 14          | -           | -             | 2.8  | 7.66  | 7  | M22 | 50          | 56          | 69            | 14   | 35.72 | 32 |
| M5  | 16          | -           | -             | 3.5  | 8.79  | 8  | M24 | 54          | 60          | 73            | 15   | 39.98 | 36 |
| M6  | 18          | 24          | -             | 4    | 11.05 | 10 | M27 | 60          | 66          | 79            | 17   | 45.2  | 41 |
| M8  | 22          | 28          | -             | 5.3  | 14.38 | 13 | M30 | 66          | 72          | 85            | 18.7 | 50.85 | 46 |
| M10 | 26          | 32          | 45            | 6.4  | 18.9  | 17 | M33 | 72          | 78          | 91            | 21   | 55.37 | 50 |
| M12 | 30          | 36          | 49            | 7.5  | 21.1  | 19 | M36 | 78          | 84          | 97            | 22.5 | 60.79 | 55 |
| M14 | 34          | 40          | 53            | 8.8  | 24.49 | 22 | M42 | 90          | 96          | 109           | 26   | 71.3  | 65 |
| M16 | 38          | 44          | 57            | 10   | 26.75 | 24 | M45 | 96          | 102         | 115           | 28   | 76.95 | 70 |
| M18 | 42          | 48          | 61            | 11.5 | 30.14 | 27 | M48 | 102         | 108         | 121           | 30   | 82.60 | 75 |
| M20 | 46          | 52          | 65            | 12.5 | 33.53 | 30 |     |             |             |               |      |       |    |