



## AFDICHTSTOP

### ZESKANT EN MET KRAAG

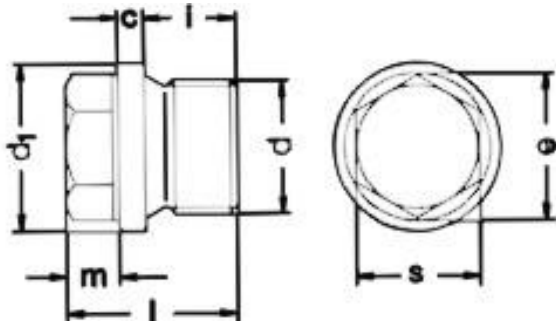
|   |   |
|---|---|
| <b>DIN-910</b>  |   |
|  |   |
| <b>A4</b>   |  |
| <b>RVS</b>  |   |
| <b>910013400</b>  | <b>MF-</b>  |

**DIN EN ISO CODE**                      DIN-910  
-  
-  
91001

**MATERIAAL OPPERVLAKTE CODE**                      ROESTVAST STAAL A4  
-  
3400

**METRISCH FIJN VOORBEELD MF-12X1,5 CODE**                      MF-  
120150

**BESTELCODE**                      91001 3400 120150



| D1               | D2 | S  | C | I  | L      | M      | D1               | D2 | S  | C | I  | L      | M      |
|------------------|----|----|---|----|--------|--------|------------------|----|----|---|----|--------|--------|
|                  |    |    |   |    | APPROX | APPROX |                  |    |    |   |    | APPROX | APPROX |
| <b>M10 X 1</b>   | 14 | 10 | 3 | 8  | 17     | 6      | <b>M30 x 1.5</b> | 36 | 24 | 4 | 16 | 30     | 10     |
| <b>M12 X 1.5</b> | 17 | 13 | 3 | 12 | 21     | 6      | <b>M33 x 2</b>   | 39 | 27 | 5 | 16 | 32     | 11     |
| <b>M14 X 1.5</b> | 19 | 13 | 3 | 12 | 21     | 6      | <b>M36 x 1.5</b> | 42 | 27 | 5 | 16 | 32     | 11     |
| <b>M16 X 1.5</b> | 21 | 17 | 3 | 12 | 21     | 6      | <b>M38 x 1.5</b> | 44 | 27 | 5 | 16 | 32     | 11     |
| <b>M18 X 1.5</b> | 23 | 17 | 4 | 12 | 24     | 8      | <b>M42 x 1.5</b> | 49 | 30 | 5 | 16 | 33     | 12     |
| <b>M20 X 1.5</b> | 25 | 19 | 4 | 14 | 26     | 8      | <b>M45 x 1.5</b> | 52 | 30 | 5 | 16 | 33     | 12     |
| <b>M22 X 1.5</b> | 27 | 19 | 4 | 14 | 26     | 8      | <b>M48 x 1.5</b> | 55 | 30 | 5 | 16 | 33     | 12     |
| <b>M24 X 1.5</b> | 29 | 22 | 4 | 14 | 27     | 9      | <b>M52 x 1.5</b> | 60 | 30 | 5 | 16 | 33     | 12     |
| <b>M26 X 1.5</b> | 31 | 24 | 4 | 16 | 30     | 10     | <b>M56 x 2</b>   | 64 | 36 | 5 | 20 | 40     | 15     |
| <b>M27 X 2</b>   | 32 | 24 | 4 | 16 | 30     | 10     | <b>M64 x 2</b>   | 72 | 36 | 5 | 20 | 40     | 15     |