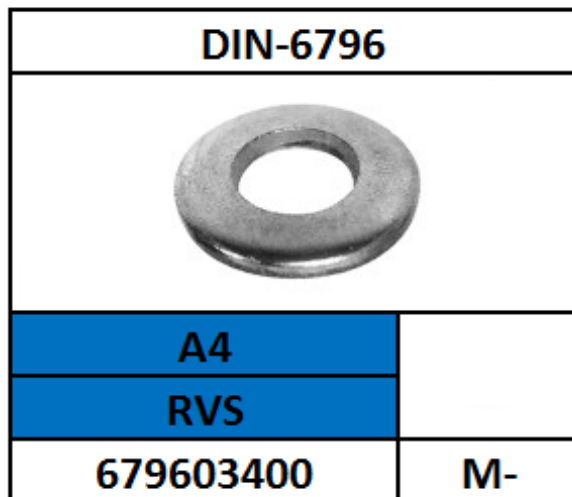
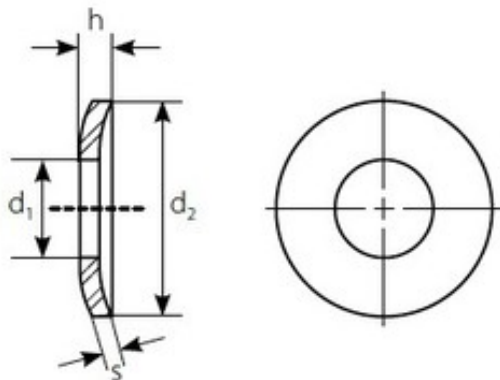


## SCHOTELVEERRING



<b>DIN</b>	DIN-6796
<b>EN</b>	-
<b>ISO</b>	ISO-10670
<b>CODE</b>	67960
<b>MATERIAAL</b>	ROESTVAST STAAL A4
<b>OPPERVLAKTE</b>	-
<b>CODE</b>	3400
<b>METRISCH</b>	M-
<b>VOORBEELD 4X9X1</b>	
<b>CODE</b>	040000
<b>BESTELCODE</b>	67960 3400 040000



D	USED FOR	S	H MAX	D1	D	USED FOR	S	H MAX	D1
2.7	M2.5	0.5	-	6	8.4	M8	2	2.6	18
3.2	M3	0.6	0.85	7	10.5	M10	2.5	3.2	23
3.7	M3.5	0.8	1.06	8	13	M12	3	3.95	29
4.3	M4	1	1.3	9	15	M14	3.5	4.65	35
5.3	M5	1.2	1.55	11	17	M16	4	5.25	39
6.4	M6	1.5	2	14	19	M18	4.5	5.8	42
7.4	M7	1.75	2.3	17	21	M20	5	6.4	45