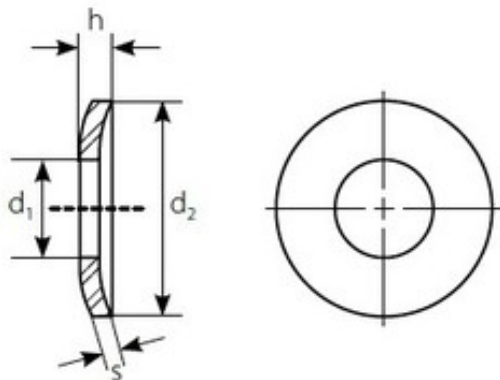


SCHOTELVEERRING

| | |
|---|-----------|
| DIN-6796 | |
|  | |
| BLANK | |
| VST | |
| 679601100 | M- |

| | |
|------------------------|-------------------|
| DIN | DIN-6796 |
| EN | - |
| ISO | ISO-10670 |
| CODE | 67960 |
| MATERIAAL | VERENSTAAL |
| OPPERVLAKTE | BLANK |
| CODE | 1100 |
| METRISCH | M- |
| VOORBEELD 4X9X1 | |
| CODE | 040000 |
| BESTELCODE | 67960 1100 040000 |



| D | USED FOR | S | H MAX | D1 | D | USED FOR | S | H MAX | D1 |
|-----|----------|------|-------|----|------|----------|-----|-------|----|
| 2.7 | M2.5 | 0.5 | - | 6 | 8.4 | M8 | 2 | 2.6 | 18 |
| 3.2 | M3 | 0.6 | 0.85 | 7 | 10.5 | M10 | 2.5 | 3.2 | 23 |
| 3.7 | M3.5 | 0.8 | 1.06 | 8 | 13 | M12 | 3 | 3.95 | 29 |
| 4.3 | M4 | 1 | 1.3 | 9 | 15 | M14 | 3.5 | 4.65 | 35 |
| 5.3 | M5 | 1.2 | 1.55 | 11 | 17 | M16 | 4 | 5.25 | 39 |
| 6.4 | M6 | 1.5 | 2 | 14 | 19 | M18 | 4.5 | 5.8 | 42 |
| 7.4 | M7 | 1.75 | 2.3 | 17 | 21 | M20 | 5 | 6.4 | 45 |