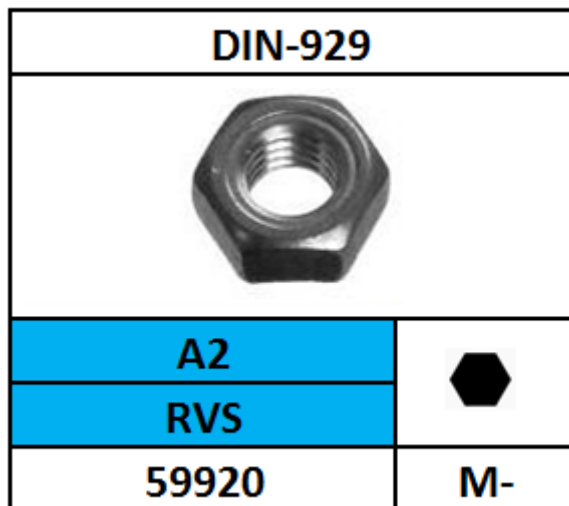
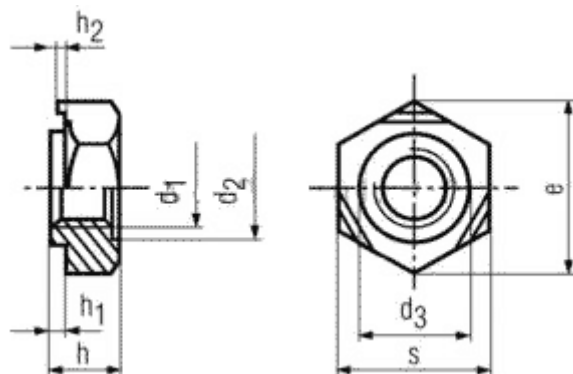


## LASMOER-ZESKANT



<b>DIN</b>	DIN-929
<b>EN</b>	-
<b>ISO</b>	-
<b>CODE</b>	92900
<b>MATERIAAL</b>	ROESTVAST STAAL A2
<b>OPPERVLAKTE</b>	-
<b>CODE</b>	3200
<b>METRISCH</b>	M-
<b>VOORBEELD M-8</b>	
<b>CODE</b>	080000
<b>BESTELCODE</b>	92900 3200 080000



d1	d2	H13	d3	d11	h1	h2	h	h14	s	h13	Sheet Thickness		Proof Load N
											min.	max.	
M3	4.5	4.5	0.55		0.25		3	7.5	0.63	2.6	3800		
M4	6	6	0.65	-0.1	0.35	-0.1	3.5	9	0.75	3	6800		
M5	7	7	0.7		0.4		4	10	0.88	3.5	11000		
M6	8	8	0.75	-0.15	0.4	-0.15	5	11	0.88	4	15500		
M8	10.5	10.5	0.9		0.5		6.5	14	1	4.5	28300		
M10	12.5	12.5	1.15		0.65		8	17	1.25	5	44800		
M12	14.8	14.8	1.4	-0.2	0.8	-0.2	10	19	1.5	5	65300		
M14	16.8	16.8	1.8		1		11	22	2	6	89700		
M16	18.8	18.8	1.8		1		13	24	2	6	123000		