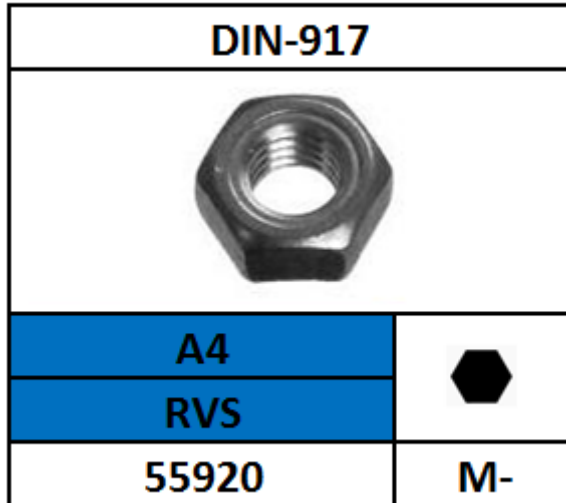
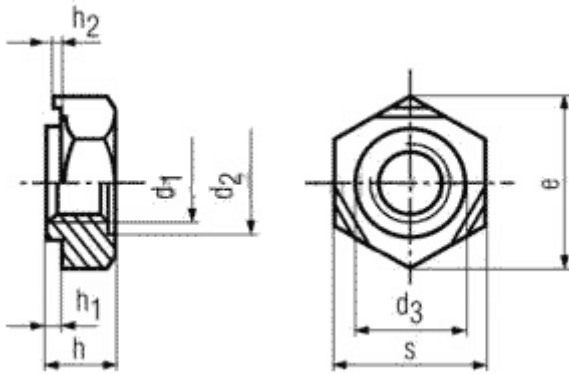


## LASMOER-ZESKANT



|                      |                    |
|----------------------|--------------------|
| <b>DIN</b>           | DIN-929            |
| <b>EN</b>            | -                  |
| <b>ISO</b>           | -                  |
| <b>CODE</b>          | 92900              |
| <b>MATERIAAL</b>     | ROESTVAST STAAL A4 |
| <b>OPPERVLAKTE</b>   | -                  |
| <b>CODE</b>          | 3400               |
| <b>METRISCH</b>      | M-                 |
| <b>VOORBEELD M-8</b> |                    |
| <b>CODE</b>          | 080000             |
| <b>BESTELCODE</b>    | 92900 3400 080000  |



| d1  | d2   | H13  | d3   | d11   | h1   | h2    | h   | h14 | s    | h13 | Sheet Thickness |      | Proof Load N |
|-----|------|------|------|-------|------|-------|-----|-----|------|-----|-----------------|------|--------------|
|     |      |      |      |       |      |       |     |     |      |     | min.            | max. |              |
| M3  | 4.5  | 4.5  | 0.55 |       | 0.25 |       | 3   | 7.5 | 0.63 | 2.6 | 3800            |      |              |
| M4  | 6    | 6    | 0.65 | -0.1  | 0.35 | -0.1  | 3.5 | 9   | 0.75 | 3   | 6800            |      |              |
| M5  | 7    | 7    | 0.7  |       | 0.4  |       | 4   | 10  | 0.88 | 3.5 | 11000           |      |              |
| M6  | 8    | 8    | 0.75 | -0.15 | 0.4  | -0.15 | 5   | 11  | 0.88 | 4   | 15500           |      |              |
| M8  | 10.5 | 10.5 | 0.9  |       | 0.5  |       | 6.5 | 14  | 1    | 4.5 | 28300           |      |              |
| M10 | 12.5 | 12.5 | 1.15 | -0.2  | 0.65 | -0.2  | 8   | 17  | 1.25 | 5   | 44800           |      |              |
| M12 | 14.8 | 14.8 | 1.4  |       | 0.8  |       | 10  | 19  | 1.5  | 5   | 65300           |      |              |
| M14 | 16.8 | 16.8 | 1.8  |       | 1    |       | 11  | 22  | 2    | 6   | 89700           |      |              |
| M16 | 18.8 | 18.8 | 1.8  |       | 1    |       | 13  | 24  | 2    | 6   | 123000          |      |              |