
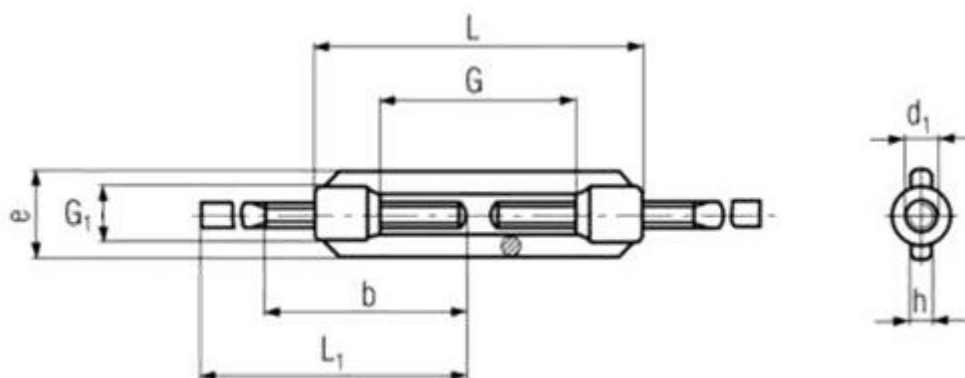


SPANWARTEL

AANLASEIND EN AANLASEIND

| | |
|---|-----------|
| DIN-1480AA | |
|  | |
| ELVZ | |
| ST | |
| 148020001 | M- |

| | |
|-----------------------|----------------------------|
| DIN | DIN-1480AA |
| EN | - |
| ISO | - |
| CODE | 14802 |
| MATERIAAL | STAAL |
| OPPERVLAKTE | ELEKTROLYTISCH VERZINKT |
| CODE | 0001 |
| METRISCH | M- |
| VOORBEELD M-12 | |
| CODE | 120000 |
| BESTELCODE | 14802 0001 120000 |



| D1 | L | G | E | G1 | H MIN. | B1 |
|-----|-----|-----|----|----|--------|-----|
| M6 | 110 | 86 | 19 | 12 | 6 | 50 |
| M8 | 110 | 80 | 23 | 15 | 8 | 55 |
| M10 | 125 | 89 | 30 | 18 | 9 | 65 |
| M12 | 125 | 83 | 34 | 21 | 11 | 65 |
| M14 | 140 | 90 | 36 | 25 | 13 | 80 |
| M16 | 170 | 116 | 42 | 27 | 14 | 85 |
| M20 | 200 | 132 | 52 | 34 | 17 | 115 |
| M24 | 255 | 177 | 60 | 39 | 20 | 130 |
| M30 | 255 | 165 | 74 | 46 | 23 | 150 |